



Tianjin Kangsheng Fastener Co., Ltd.

天津市康盛紧固件有限公司

BUSINESS BROCHURE 企业宣传册

Add: No. 5, Chenda Road, Mengkou Village, Beiyuan, Yanzhuang Town,
Jinghai District

Contact: Lillian

Mobile: +86 18322220210

Wechat/ Whatsapp: +86 18322220210

Email: lillianlyk@163.com

Web: www.ksfastener.com/ tjkangsheng.en.alibaba.com



About us
关于我们

Profile

Tianjin Kangsheng Fastener Co., Ltd. is located in "Tianjin", one of the four municipalities in China, which is known as the "City of Crosstalk". Tianjin is also the largest open city and industrial and commercial city in northern China.

Founded in 2010, the company covers an area of more than 2,000 square meters and can accommodate 100 people. It is currently one of the larger clamp production plants in the Beiyuan Mengkou Industrial Zone, Yanzhuang Town, Jinghai District, Tianjin. The company now has various production machine tools, customized molds and other special production equipment and complete production lines.

Since the establishment of the company, we have specialized in the production of various fasteners, such as rubber band clamps, saddle clips, German-style clamps, American-style clamps, T-shaped clamps, tube bundles, mini clamps, single-ear clamps, and rubber strips. Heavy-duty pipe clamps, powerful clamps, etc.

We have cooperated many times with customers in Shanghai, Guangzhou, Zhejiang, the United States, Russia, Saudi Arabia, Israel, and Indonesia. After continuous efforts, we have won unanimous praise from customers.

For a long time, the company has regarded "quality to witness strength, details determine success or failure" as the company's business philosophy, and provide high-quality after-sales service to bring customers the most secure procurement services, and finally achieve long-term cooperation and win-win! We sincerely welcome friend!



About us

关于我们



简介

天津康盛紧固件有限公司位于中国四大直辖市之一的“天津”，素有“相声之城”之称。天津也是中国北方最大的开放城市和工商业城市。

公司成立于2010年，占地面积2000多平方米，可容纳100人。目前坐落于天津市静海区沿庄镇北元蒙口工业区。公司现拥有各种生产机床、定制模具等专用生产设备和完整的生产线。

自公司成立以来，我们专业生产各种紧固件，如连胶条卡箍，马鞍卡，德式卡箍，美式卡箍，T型卡箍，管束，迷你卡箍，单耳无极卡箍，双钢丝卡箍，强力卡箍等。

我们与上海，广州，浙江，美国，俄罗斯，沙特阿拉伯，以色列和印度尼西亚的客户多次合作，并建立了长期的合作关系。经过不断的努力，我们赢得了客户的一致好评。

长期以来，公司一直以“品质见证实力，细节决定成败”作为公司的经营理念，提供优质的售后服务，为客户带来最有保障的采购服务，最终实现长期合作共赢！竭诚欢迎朋友参观工厂！

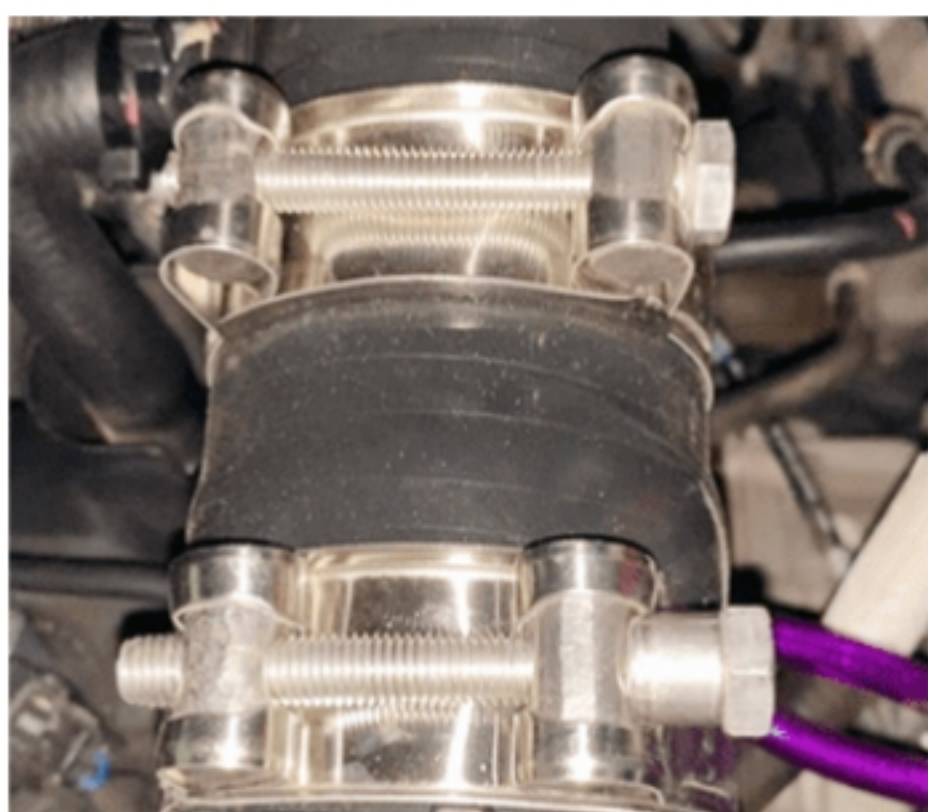
Production

生产



Application

应用

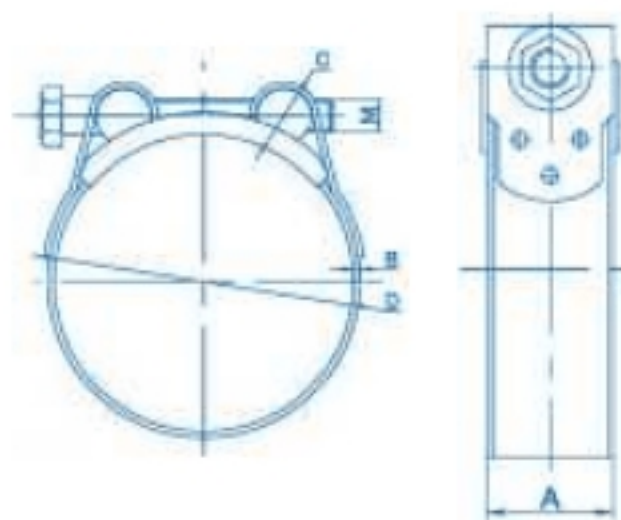


Our product

我们的产品

Single bolt hose clamp

- 1) For Heavy duty applications where large tightening forces are required.
- 2) Rolled edge to prevent hose damage.
- 3) Easy installation-a bolt is used for tightening not a nut which ensures full travel when using a socket.
- 4) Solid trunnions with hex head bolt
- 5) Superior sealing-tighter seals at lower bolt torques.



Size (mm)	W1 Thickness*Bandwidth (mm)	W4 Thickness*Bandwidth (mm)	Screw	Pcs/bag	Pcs/ctn	Ctn size (cm)	W1 G.W./Ctn (kg)	W4 G.W./Ctn (kg)	Torque (N.m)
17-19	0.6*18	0.6*18	M5	10	250	38*27*13	10.13	10.25	≥5
20-22				10	250	38*27*13	10.38	10.50	≥5
23-25				10	250	38*27*15	10.63	10.75	≥5
26-28				10	250	38*27*15	11.20	11.10	≥5
29-31	0.8*20	0.6*20	M6	10	200	38*27*17	10.90	10.80	≥10
32-35				10	200	38*27*17	12.28	11.00	≥10
36-39				10	200	38*27*19	13.98	11.20	≥10
40-43				10	200	38*27*19	14.94	11.60	≥10
44-47	1.2*22	0.8*22	M6	10	200	38*27*24	17.30	14.80	≥10
48-51				10	200	38*27*27	18.02	15.00	≥10
52-55				10	200	38*27*29	18.76	15.20	≥10
56-59				10	100	38*27*17	10.10	8.00	≥10
60-63				10	100	38*27*17	10.52	8.20	≥10
64-67				10	100	38*27*19	12.92	8.30	≥20
68-73	1.5*24	0.8*24	M8	10	100	38*27*24	15.64	11.90	≥20
74-79				10	100	38*27*24	16.10	12.40	≥20
80-85				10	100	38*27*29	16.40	12.60	≥20
86-91				10	100	38*27*34	17.02	12.90	≥20
92-97				10	100	40*37*35	17.53	13.20	≥20
98-103				10	100	40*37*35	18.32	13.80	≥20
104-112				10	100	40*37*40	19.63	14.50	≥20
113-121	1.7*26	1.0*26	M10	10	100	40*37*40	19.91	14.60	≥20
122-130				5	50	40*37*30	10.25	7.40	≥35
131-139				5	50	40*37*30	11.43	10.05	≥35
140-148				5	50	40*37*35	15.24	10.45	≥35
149-161				5	25	38*27*29	8.02	5.45	≥35
162-174				5	25	38*27*29	8.16	5.55	≥35
175-187				5	25	40*37*28	8.29	5.78	≥35
188-200				5	25	40*37*28	8.42	6.03	≥35
201-213	1.7*26	1.0*26	M10	5	25	40*37*30	9.42	6.23	≥35
214-226				5	25	40*37*30	9.78	6.45	≥35
227-239				5	25	40*37*30	10.15	6.73	≥35
240-252				5	25	40*37*32	10.52	6.90	≥35

Note:

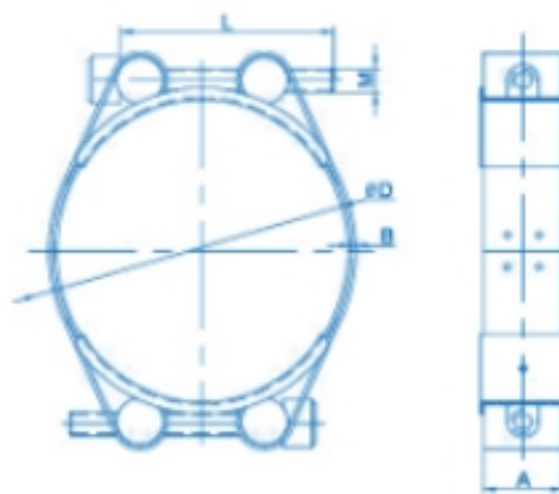
- 1.W1 series(all the parts are carbon steel)
- 2.W2 series (band and bridge are SS200 or 300, others are carbon steel)
- 3.W4 series(all the parts are SS200 or 300)
- 4.W5 series(all the parts are SS316)

Our product

我们的产品

Double bolt hose clamp

- 1) Most powerful clamp with double band design.
- 2) Easy and quick assembly with two internal hexagon type of screw , and a swiveling bridge.
- 3) Fitted after the hose is connected to the spigot.



Size (mm)	Bandwidth*Thickness (mm)	Screw	Pcs/ctn	Ctn size (cm)	G.W./Ctn (kg)	Torque (N.m)
30-40	20*1.0	M6	100	38*27*17	11.43	≥10
35-45	20*1.0	M6	100	38*27*17	12.65	≥10
40-50	20*1.0	M6	100	38*27*21	13.32	≥10
45-55	20*1.0	M6	100	38*27*24	14.15	≥10
50-60	20*1.0	M6	100	38*27*27	15.32	≥10
55-65	20*1.0	M6	100	38*37*29	16.69	≥10
60-70	20*1.0	M6	100	38*27*29	17.88	≥10
65-75	20*1.0	M6	100	38*27*29	19.02	≥10
70-80	20*1.0	M6	50	38*27*21	10.23	≥10
75-85	20*1.0	M6	50	38*27*21	11.45	≥10
80-90	20*1.0	M6	50	38*27*24	12.89	≥10
85-95	20*1.0	M6	50	38*27*24	14.03	≥10
90-100	24*1.0	M8	50	38*27*24	15.32	≥20
100-110	24*1.0	M8	50	38*27*27	16.4	≥20
110-120	24*1.0	M8	50	38*27*29	17.58	≥20
120-130	24*1.0	M8	50	38*27*29	18.92	≥20
130-140	24*1.0	M8	50	38*27*34	19.68	≥20
140-150	24*1.0	M8	25	38*27*24	10.13	≥20
150-160	24*1.0	M8	25	38*27*27	11.36	≥20
160-170	24*1.0	M8	25	38*27*29	12.35	≥20
170-180	24*1.0	M8	25	38*27*29	13.46	≥20
180-190	24*1.0	M8	25	38*27*34	14.98	≥20
190-200	24*1.0	M8	25	40*37*28	16.02	≥20
200-210	24*1.0	M8	25	40*37*28	17.36	≥20
210-220	24*1.0	M8	25	40*37*30	18.53	≥20
220-230	24*1.0	M8	25	40*37*35	19.89	≥20
230-240	24*1.0	M8	20	38*37*29	14.65	≥20
240-250	24*1.0	M8	20	38*27*34	15.02	≥20
250-260	24*1.0	M8	20	38*27*34	16.32	≥20
260-270	24*1.0	M8	20	40*37*28	17.56	≥20
270-280	24*1.0	M8	20	40*37*30	18.06	≥20
290-300	24*1.0	M8	20	40*37*35	19.65	≥20

Note:

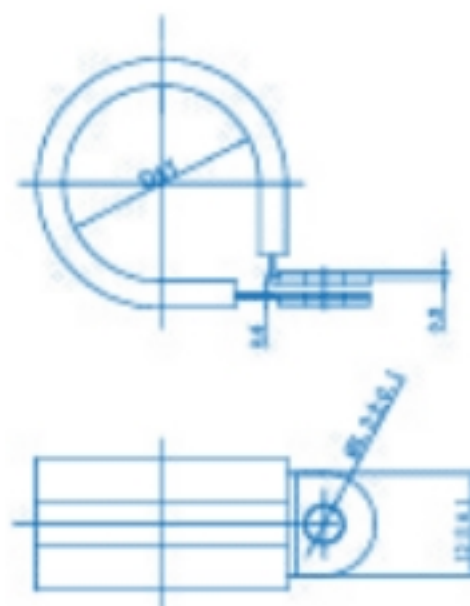
- 1.W1 series(all the parts are carbon steel)
- 2.W4 series(all the parts are SS200 or 300)
- 3.W5 series(all the parts are SS316)

Our product

我们的产品

Rubber lined P type hose clamp

- 1) Used extensively in many industries for securing pipes, hoses and cables.
- 2) The liner also absorbs vibration and prevents water penetration.
- 3) The snug fitting EPDM liner enables the clips to clamp the pipes, hoses and cables firmly.
- 3) Bandwidth and mounting hose sizes vary by diameter and material.



Size (mm)	Thickness (mm)	Bandwidth (mm)	Pcs/bag	Pcs/ctn	Ctn size (cm)	G.W./Ctn (kg)
φ4	0.5/0.6/0.8/1.0	12/15/20/25	100	2000	38*27*13	12.13
φ6	0.5/0.6/0.8/1.0	12/15/20/25	100	2000	38*27*13	13.60
φ8	0.5/0.6/0.8/1.0	12/15/20/25	100	2000	38*27*15	14.80
φ9	0.5/0.6/0.8/1.0	12/15/20/25	100	2000	38*27*15	15.50
φ10	0.5/0.6/0.8/1.0	12/15/20/25	50	2000	38*27*17	16.40
φ12	0.5/0.6/0.8/1.0	12/15/20/25	50	2000	38*27*17	17.20
φ14	0.5/0.6/0.8/1.0	12/15/20/25	50	2000	38*27*19	18.00
φ16	0.5/0.6/0.8/1.0	12/15/20/25	50	2000	38*27*19	18.80
φ18	0.5/0.6/0.8/1.0	12/15/20/25	50	1000	38*27*24	9.80
φ20	0.5/0.6/0.8/1.0	12/15/20/25	50	1000	38*27*27	10.90
φ22	0.5/0.6/0.8/1.0	12/15/20/25	25	1000	38*27*29	11.70
φ24	0.5/0.6/0.8/1.0	12/15/20/25	25	1000	38*27*17	12.60
φ26	0.5/0.6/0.8/1.0	12/15/20/25	25	1000	38*27*17	13.40
φ28	0.5/0.6/0.8/1.0	12/15/20/25	25	1000	38*27*19	14.00
φ30	0.5/0.6/0.8/1.0	12/15/20/25	25	1000	38*27*24	14.40
φ32	0.5/0.6/0.8/1.0	12/15/20/25	25	1000	38*27*24	15.40
φ34	0.5/0.6/0.8/1.0	12/15/20/25	25	1000	38*27*29	16.30
φ36	0.5/0.6/0.8/1.0	12/15/20/25	25	1000	38*27*34	17.20
φ38	0.5/0.6/0.8/1.0	12/15/20/25	25	500	40*37*35	9.50
φ40	0.5/0.6/0.8/1.0	12/15/20/25	25	500	40*37*35	10.40
φ42	0.5/0.6/0.8/1.0	12/15/20/25	25	500	40*37*40	11.20
φ42	0.5/0.6/0.8/1.0	12/15/20/25	25	500	40*37*40	12.10
φ46	0.5/0.6/0.8/1.0	12/15/20/25	25	500	40*37*30	13.00
φ48	0.5/0.6/0.8/1.0	12/15/20/25	25	500	40*37*30	14.00
φ50	0.5/0.6/0.8/1.0	12/15/20/25	25	500	40*37*35	14.80

Note:

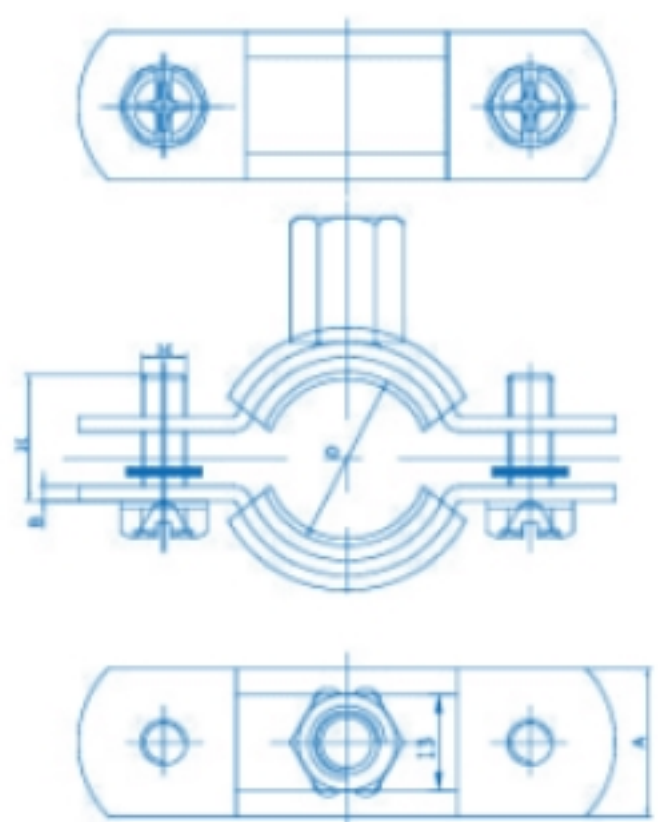
- 1.W1 series(all the parts are carbon steel)
- 2.W4 series(all the parts are SS200 or 300)
- 3.W5 series(all the parts are SS316)

Our product

我们的产品

Pipe clamp with rubber

A pipe clamp with quicklock and M8/M10 combinut for easy installation on bigger size.



Size		Welded Nut	Screw	Pcs/ctn	Thickness* Bandwidth (mm)	Ctn size (cm)	G.W./Ctn (kg)	Thickness* Bandwidth (mm)	Ctn size (cm)	G.W./Ctn (kg)
mm	inch									
15-19	3/8"	M8+M10	M6	200	1.2*20	38*27*15	9.77	2.0*20	38*27*15	13.28
20-25	1/2"	M8+M10	M6	200	1.2*20	38*27*17	10.83	2.0*20	38*27*17	14.81
26-30	3/4"	M8+M10	M6	200	1.2*20	38*27*19	11.72	2.0*20	38*27*19	16.09
32-36	1"	M8+M10	M6	200	1.2*20	38*27*24	12.78	2.0*20	38*27*24	17.63
38-43	1-1/4"	M8+M10	M6	100	1.2*20	38*27*13	7.01	2.0*20	38*27*13	9.71
47-51	1-1/2"	M8+M10	M6	100	1.2*20	38*27*15	7.71	2.0*20	38*27*15	10.73
53-58		M8+M10	M6	100	1.2*20	38*27*17	8.33	2.0*20	38*27*17	11.62
60-64	2"	M8+M10	M6	100	1.2*20	38*27*19	8.86	2.0*20	38*27*19	12.39
68-72		M8+M10	M6	100	1.2*20	38*27*21	9.57	2.0*20	38*27*21	13.41
75-80	2-1/2"	M8+M10	M6	100	1.2*20	38*27*24	10.28	2.0*20	38*27*24	14.44
71-86		M8+M10	M6	100	1.2*20	38*27*34	10.81	2.0*20	38*27*34	15.20
87-92	3"	M8+M10	M6	100	1.2*20	40*37*28	11.34	2.0*20	40*37*28	15.97
99-105	3-1/2"	M8+M10	M6	50	1.2*20	38*27*24	6.24	2.0*20	38*27*24	8.82
107-112		M8+M10	M6	50	1.2*20	38*27*24	6.55	2.0*20	38*27*24	9.26
113-118	4"	M8+M10	M6	50	1.2*20	38*27*24	6.82	2.0*20	38*27*24	9.65
125-130		M8+M10	M6	50	1.2*20	38*27*29	7.35	2.0*20	38*27*29	10.41
132-137		M8+M10	M6	50	1.2*20	38*27*34	7.66	2.0*20	38*27*34	10.86
138-142	5"	M8+M10	M6	50	1.2*20	38*27*34	7.88	2.0*20	38*27*34	11.18
148-152		M8+M10	M6	50	1.2*20	40*37*29	8.32	2.0*20	40*37*29	11.82
159-166	6"	M8+M10	M6	50	1.2*20	40*37*30	8.94	2.0*20	40*37*30	12.71
200-212		M8+M10	M6	25	1.2*20	40*37*27	5.48	2.0*20	40*37*27	7.83
215-220	8"	M8+M10	M6	25	1.2*20	40*37*27	5.66	2.0*20	40*37*27	8.08
248-252		M8+M10	M6	25	1.2*20	40*37*30	6.37	2.0*20	40*37*30	9.10

Note:

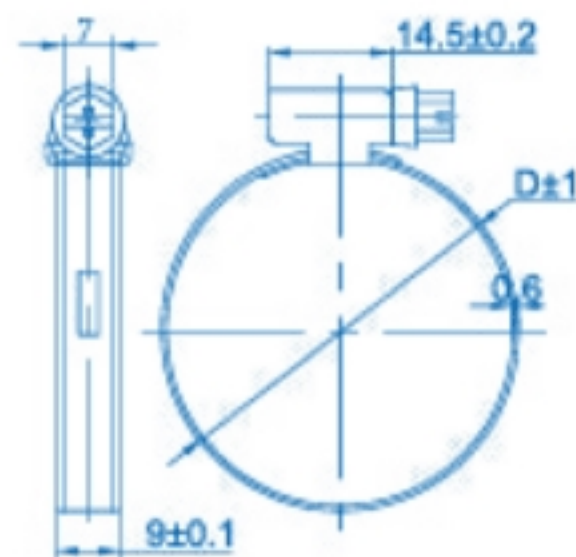
- 1.W1 series(all the parts are carbon steel)
- 2.W4 series(all the parts are SS200 or 300)
- 3.W5 series(all the parts are SS316)

Our product

我们的产品

Germany type hose clamp

9mm Bandwidth



- 1) Heavy duty, non perforated band.
- 2) Rolled edge to prevent hose damage.
- 3) For automotive and general purpose use.



Size (mm)	Thickness*Bandwidth (mm)	Pcs/bag	Pcs/ctn	Ctn size (cm)	G.W./Ctn (kg)	Torque (N.m)
8-12mm	0.6/0.7mm*9mm	100	1000	34*21*13	10.70	≥6
10-16mm	0.6/0.7mm*9mm	100	1000	34*21*16	11.30	≥6
12-20mm	0.6/0.7mm*9mm	100	1000	38*27*15	11.70	≥6
16-25mm	0.6/0.7mm*9mm	100	1000	38*27*17	12.50	≥6
20-32mm	0.6/0.7mm*9mm	50	1000	38*27*20	13.60	≥6
25-40mm	0.6/0.7mm*9mm	25	500	38*27*20	8.30	≥6
32-50mm	0.6/0.7mm*9mm	25	500	38*27*23	8.90	≥6
40-60mm	0.6/0.7mm*9mm	25	500	38*27*25	9.60	≥6
50-70mm	0.6/0.7mm*9mm	25	500	38*27*32	10.50	≥6
60-80mm	0.6/0.7mm*9mm	25	500	46*27*25	11.00	≥6
70-90mm	0.6/0.7mm*9mm	25	500	38*33*30	11.80	≥6
80-100mm	0.6/0.7mm*9mm	25	250	38*27*21	6.50	≥6
90-110mm	0.6/0.7mm*9mm	25	250	38*27*23	6.80	≥6
100-120mm	0.6/0.7mm*9mm	25	250	46*27*24	7.20	≥6
110-130mm	0.6/0.7mm*9mm	25	250	46*27*25	7.60	≥6
120-140mm	0.6/0.7mm*9mm	25	250	39*27*30	8.10	≥6
130-150mm	0.6/0.7mm*9mm	25	250	45*31*27	8.50	≥6
140-160mm	0.6/0.7mm*9mm	20	200	41*32*32	7.90	≥6
150-170mm	0.6/0.7mm*9mm	20	200	41*32*32	8.10	≥6
160-180mm	0.6/0.7mm*9mm	20	200	41*32*32	8.50	≥6
170-190mm	0.6/0.7mm*9mm	20	200	41*32*32	8.90	≥6
180-200mm	0.6/0.7mm*9mm	20	200	41*32*34	9.30	≥6

Note:

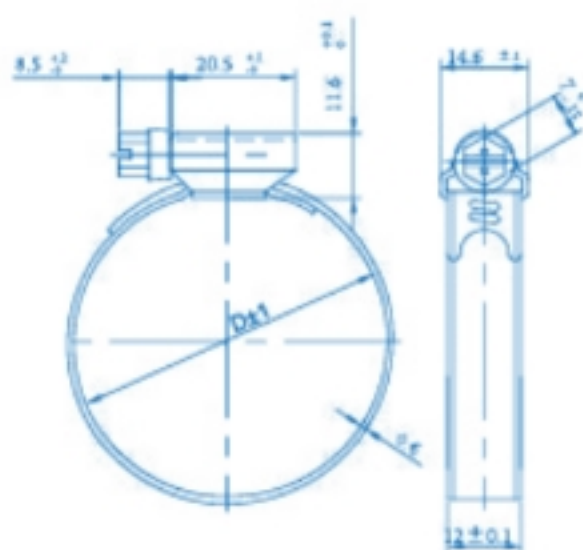
- 1.W1 series(all the parts are carbon steel)
- 2.W2 series (band and bridge are SS200 or 300, others are carbon steel)
- 3.W4 series(all the parts are SS200 or 300)
- 4.W5 series(all the parts are SS316)

Our product

我们的产品

Germany type hose clamp

12mm Bandwidth



- 1) Heavy duty, non perforated band.
- 2) Rolled edge to prevent hose damage.
- 3) For automotive and general purpose use.



Size (mm)	Thickness*Bandwidth (mm)	Pcs/bag	Pcs/ctn	Ctn size (cm)	G.W./Ctn (kg)	Torque (N.m)
8-12mm	0.6/0.7mm*12mm	100	1000	38*27*15	13.00	≥6.5
10-16mm	0.6/0.7mm*12mm	100	1000	38*27*15	13.40	≥6.5
12-20mm	0.6/0.7mm*12mm	100	1000	38*27*16	13.70	≥6.5
16-25mm	0.6/0.7mm*12mm	100	1000	38*27*19	14.50	≥6.5
20-32mm	0.6/0.7mm*12mm	100	1000	43*29*23	17.80	≥6.5
25-40mm	0.6/0.7mm*12mm	100	1000	43*30*30	20.30	≥6.5
32-50mm	0.6/0.7mm*12mm	50	500	43*30*30	10.40	≥6.5
40-60mm	0.6/0.7mm*12mm	20	500	38*27*29	11.40	≥6.5
50-70mm	0.6/0.7mm*12mm	20	500	45*32*30	12.80	≥6.5
60-80mm	0.6/0.7mm*12mm	20	500	45*32*30	13.50	≥6.5
70-90mm	0.6/0.7mm*12mm	20	500	46*32*31	14.80	≥6.5
80-100mm	0.6/0.7mm*12mm	20	500	47*34*35	16.00	≥6.5
90-110mm	0.6/0.7mm*12mm	20	300	47*37*36	16.50	≥6.5
100-120mm	0.6/0.7mm*12mm	20	300	48*35*36	10.20	≥6.5
110-130mm	0.6/0.7mm*12mm	20	300	47*35*38	10.60	≥6.5
120-140mm	0.6/0.7mm*12mm	20	300	47*35*38	11.20	≥6.5
130-150mm	0.6/0.7mm*12mm	20	300	48*36*38	12.40	≥6.5
140-160mm	0.6/0.7mm*12mm	20	200	40*37*28	9.98	≥6.5
150-170mm	0.6/0.7mm*12mm	20	200	40*37*30	10.51	≥6.5
160-180mm	0.6/0.7mm*12mm	20	200	40*37*35	10.96	≥6.5
170-190mm	0.6/0.7mm*12mm	20	200	40*37*40	11.40	≥6.5
180-200mm	0.6/0.7mm*12mm	20	200	40*37*40	12.00	≥6.5

Note:

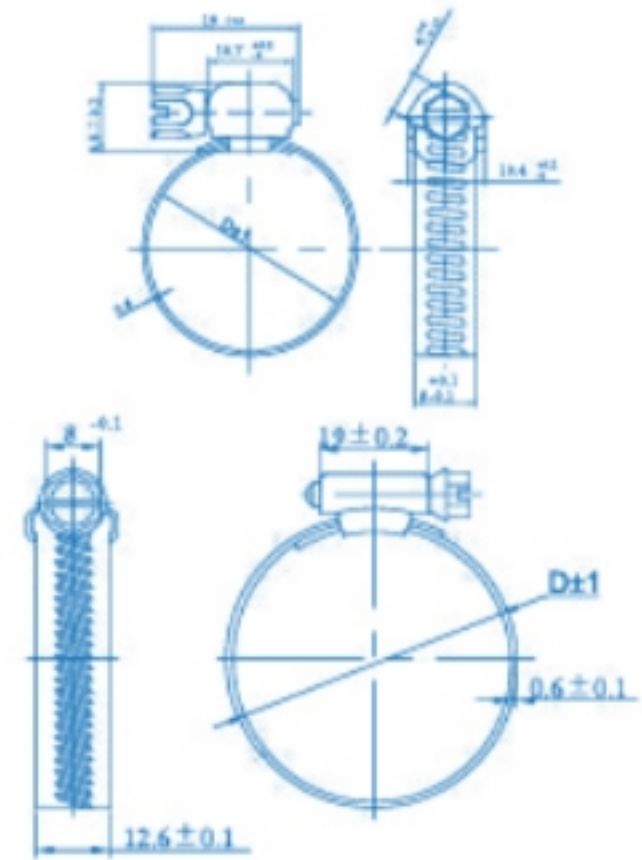
- 1.W1 series(all the parts are carbon steel)
- 2.W2 series (band and bridge are SS200 or 300, others are carbon steel)
- 3.W4 series(all the parts are SS200 or 300)
- 4.W5 series(all the parts are SS316)

Our product

我们的产品

American type hose clamp 8mm 12.7mm Bandwidth

- 1) Generally used in small diameter applications.
- 2) For automobiles, plumbing, home and garden.
- 3) Assists with high speed assembly on production lines.
- 4) Especially suited to industrial applications.



Size		Thickness*Bandwidth (mm)	Pcs/bag	Pcs/ctn	Ctn size (cm)	G.W./Ctn (kg)	Torque (N.m)
mm	inch						
8-12	1/2"	0.6*8mm	100	2000	38*27*14	11.80	≥2
10-16	5/8"	0.6*8mm	100	2000	38*27*19	12.60	≥2
13-19	3/4"	0.6*8mm	100	2000	38*27*19	13.20	≥2
13-23	7/8"	0.6*8mm	100	2000	38*27*21	13.80	≥2
16-25	1"	0.6*8mm	100	2000	38*27*21	14.40	≥2
18-32	1-1/4"	0.6*12.7mm	100	1000	36*28*30	21.00	≥7
21-38	1-1/2"	0.6*12.7mm	100	1000	36*28*32	22.10	≥7
21-44	1-3/4"	0.6*12.7mm	50	500	38*28*29	12.30	≥7
27-51	2"	0.6*12.7mm	50	500	36*29*27	12.75	≥7
33-57	2-1/4"	0.6*12.7mm	50	500	36*28*32	13.40	≥7
40-63	2-1/2"	0.6*12.7mm	50	500	36*28*34	14.00	≥7
46-70	2-3/4"	0.6*12.7mm	50	500	36*28*38	14.50	≥7
52-76	3"	0.6*12.7mm	50	500	42*34*33	15.40	≥7
59-82	3-1/4"	0.6*12.7mm	50	500	42*34*35	15.60	≥7
65-89	3-1/2"	0.6*12.7mm	25	250	39*28*32	8.63	≥7
72-95	3-3/4"	0.6*12.7mm	25	250	39*28*34	8.95	≥7
78-101	4"	0.6*12.7mm	25	250	38*27*24	7.50	≥7
84-108	4-1/4"	0.6*12.7mm	25	250	38*27*29	7.60	≥7
91-114	4-1/2"	0.6*12.7mm	25	250	38*27*35	7.80	≥7
105-127	5"	0.6*12.7mm	20	200	36*29*41	9.50	≥7
117-140	5-1/2"	0.6*12.7mm	20	200	36*30*43	9.72	≥7
130-153	6"	0.6*12.7mm	20	200	36*30*45	9.80	≥7
142-165	6-1/2"	0.6*12.7mm	20	200	36*30*47	10.4	≥7
155-178	7"	0.6*12.7mm	20	200	36*30*49	11.2	≥7

Note:

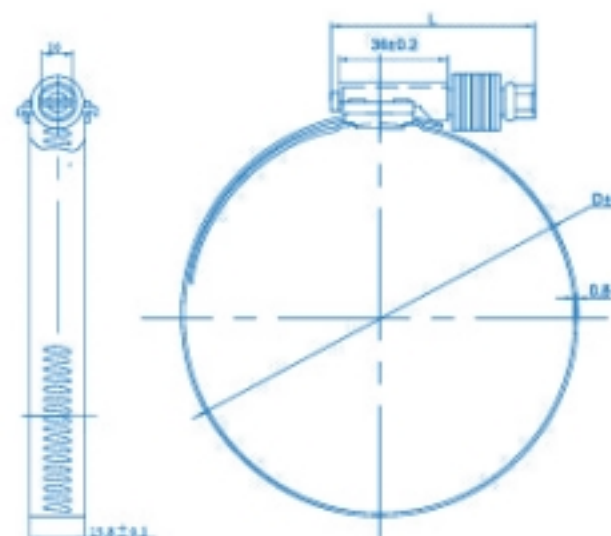
- 1.W1 series(all the parts are carbon steel)
- 2.W2 series (band and bridge are SS200 or 300, others are carbon steel)
- 3.W4 series(all the parts are SS200 or 300)
- 4.W5 series(all the parts are SS316)

Our product

我们的产品

Heavy duty American type hose clamp

Heavy Duty American Type Hose Clamp are designed to deal with "cooling leakage", this occurs when a hose assembly is subjected to a vigorous hot temperature causing expansion of the joint and whilst a normal hose clamp may expand to cope, the joint may come loose on cooling.



Size		Thickness*Bandwidth (mm)	Pcs/ctn	Ctn size (cm)	G.W./Ctn (kg)	Torque (N.m)
mm	inch					
25-45	1"-1 3/4"	0.8*15.8mm	300	38*27*21	18.17	≥15
32-54	1 1/4"-2 1/8"	0.8*15.8mm	300	38*27*21	21.60	≥15
45-66	1 3/4"-2 5/8"	0.8*15.8mm	250	40*37*28	22.30	≥15
57-79	2 1/4"-3 1/8"	0.8*15.8mm	250	40*36*30	26.10	≥15
70-92	2 3/4"-3 5/8"	0.8*15.8mm	250	40*37*35	28.20	≥15
83-105	3 1/4"-4 1/8"	0.8*15.8mm	150	58*38*21	17.10	≥15
95-117	3 3/4"-4 5/8"	0.8*15.8mm	150	58*38*21	19.20	≥15
108-130	4 1/4"-5 1/8"	0.8*15.8mm	100	38*27*17	14.40	≥15
121-143	4 3/4"-5 5/8"	0.8*15.8mm	100	38*27*29	15.70	≥15
133-156	5 1/4"-6 1/8"	0.8*15.8mm	100	40*37*28	17.04	≥15
146-168	5 3/4"-6 5/8"	0.8*15.8mm	50	40*36*30	9.60	≥15
159-181	6 1/4"-7 1/8"	0.8*15.8mm	50	38*27*21	10.27	≥15
172-194	6 3/4"-7 5/8"	0.8*15.8mm	50	38*27*21	10.90	≥15

Note:

1.W2 series (band and housing are SS200 or 300, screw is SS410 and washers are 2CR13)

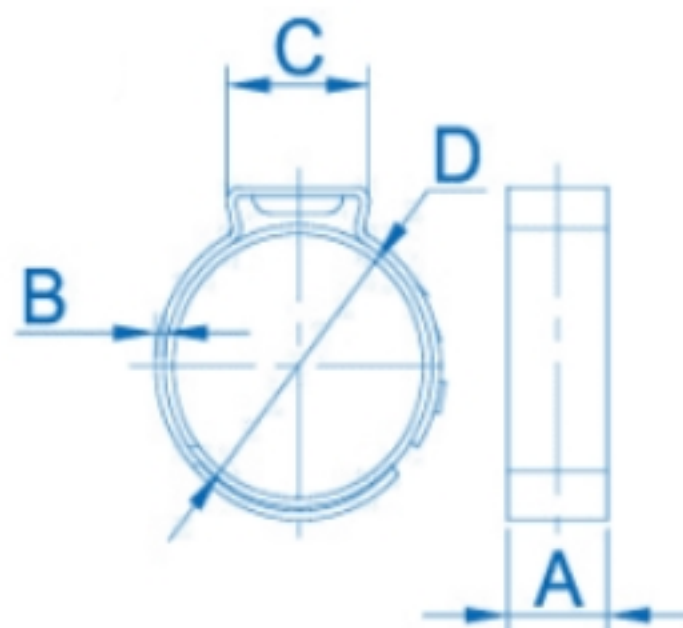
2.W4 series(all the parts are SS200 or 300)

Our product

我们的产品

Single ear hose clamp

This clamps are lightweight and designed to concentrate the clamping force whilst being able to compensate for any changes in diameter due to thermal expansion.



Size (mm)	Bandwidth*Thickness (mm)	Pcs/ctn	Ctn size (cm)	G.W./Ctn (kg)	Size (mm)	Bandwidth*Thickness (mm)	Pcs/ctn	Ctn size (cm)	G.W./Ctn (kg)
6.5	5*0.5	20000	38*27*12	16.40	22.6	7*0.6	5000	42*32*24	18.4
7	5*0.5	20000	38*27*12	17.70	24.1	7*0.6	5000	42*32*24	19
8	5*0.5	20000	38*27*12	18.40	25	7*0.6	5000	42*32*24	19.5
8.7	5*0.5	20000	38*27*12	20.60	25.6	7*0.6	5000	42*32*24	20.2
9.5	5*0.5	20000	38*27*14	22.00	26	7*0.6	5000	42*32*24	20.5
10.5	5*0.5	10000	38*27*14	10.80	27.1	7*0.6	5000	42*32*24	21.4
11.8	5*0.5	10000	38*27*14	12.30	28.6	7*0.6	5000	42*32*24	21.5
11.9	7*0.6	5000	38*27*14	12.00	31.6	7*0.6	2000	38*27*18	9.3
12.3	7*0.6	5000	38*27*14	12.10	34.6	7*0.6	2000	38*27*18	10
12.8	7*0.6	5000	38*27*14	12.20	37.6	7*0.6	2000	38*27*18	10
13.3	7*0.6	5000	38*27*17	12.40	39.6	7*0.6	2000	38*27*20	10.3
14	7*0.6	5000	38*27*17	12.60	42.5	7*0.6	1000	38*27*20	5.6
14.5	7*0.6	5000	38*27*17	13.00	48.5	7*0.6	1000	38*27*24	6.4
15.3	7*0.6	5000	38*27*17	13.5	56	7*0.6	1000	38*27*29	7.2
15.7	7*0.6	5000	38*27*18	13.6	68	7*0.6	1000	38*27*31	8.1
16.2	7*0.6	5000	42*31.5*17	14.2	71	7*0.6	1000	38*27*31	8.6
17	7*0.6	5000	42*31.5*17	15.4	84	7*0.6	1000	38*27*34	9.9
17.5	7*0.6	5000	42*31.5*17	16	92.5	7*0.6	500	42*42*25	5.4
18.5	7*0.6	5000	42*31.5*17	16	101.0	7*0.6	500	42*42*27	5.9
19.2	7*0.6	5000	42*31.5*20	16.7	111.0	7*0.6	500	42*42*29	6.4
19.8	7*0.6	5000	42*31.5*20	17.2	120.5	7*0.6	500	42*42*31	6.9
21	7*0.6	5000	42*31.5*22	18					

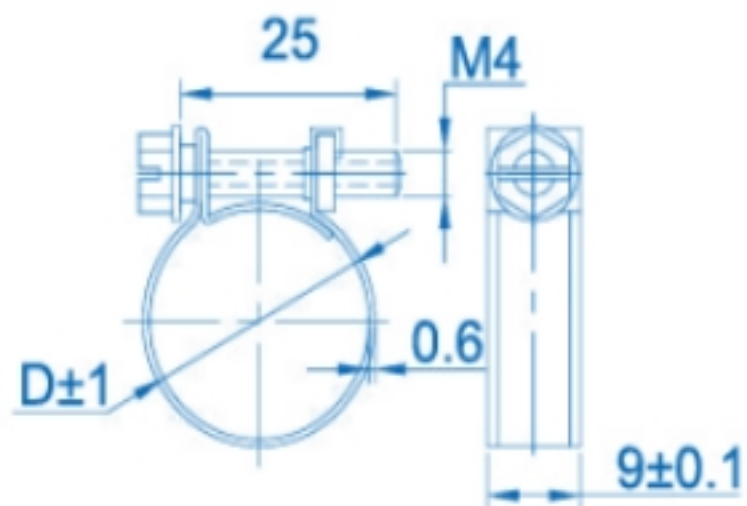
Note:
1.W4 series(all the parts are 300)

Our product

我们的产品

Mini hose clamp

- 1) Used in confined spaces.
- 2) Fixed nut for ease of tightening.
- 3) 6mm hexagonal head with screwdriver slot, 9mm bandwidth



Size (mm)	Thickness* Bandwidth	Pcs/ bag	Pcs/ ctn	Ctn size (cm)	G.W./Ctn (kg)	Torque (N.m)
7-9	0.6*9	200	2000	32*27*15	10.80	≥2.1
8-10	0.6*9	200	2000	32*27*15	11.20	≥2.1
9-11	0.6*9	100	2000	32*27*17	11.80	≥2.1
10-12	0.6*9	100	2000	32*27*17	12	≥2.1
11-13	0.6*9	100	2000	32*27*17	12.60	≥2.1
12-14	0.6*9	100	2000	32*27*19	12.80	≥2.1
13-15	0.6*9	100	2000	32*27*19	13.20	≥2.1
14-16	0.6*9	100	2000	32*27*19	13.60	≥2.1
15-17	0.6*9	100	2000	32*27*21	14.20	≥2.1
16-18	0.6*9	100	2000	32*27*21	14.60	≥2.1
17-19	0.6*9	100	2000	32*27*24	14.8	≥2.1
18-20	0.6*9	100	2000	32*27*24	15	≥2.1
19-21	0.6*9	50	1000	32*27*17	8.10	≥2.1
20-22	0.6*9	50	1000	32*27*17	8.30	≥2.1
21-23	0.6*9	50	1000	32*27*19	8.40	≥2.1
22-24	0.6*9	50	1000	32*27*19	8.70	≥2.1
23-25	0.6*9	50	1000	32*27*21	9.00	≥2.1
24-26	0.6*9	50	1000	32*27*21	9.20	≥2.1
25-27	0.6*9	50	1000	32*27*24	9.50	≥2.1
26-28	0.6*9	50	1000	32*27*24	9.70	≥2.1
27-29	0.6*9	50	1000	32*27*27	10.00	≥2.1
28-30	0.6*9	50	1000	32*27*27	10.20	≥2.1
29-31	0.6*9	50	1000	32*27*29	10.50	≥2.1
30-32	0.6*9	50	1000	32*27*29	10.70	≥2.1
31-33	0.6*9	50	1000	32*27*34	11.00	≥2.1
32-34	0.6*9	50	1000	32*27*34	11.2	≥2.1

Note:

1.W1 series(all the parts are carbon steel)

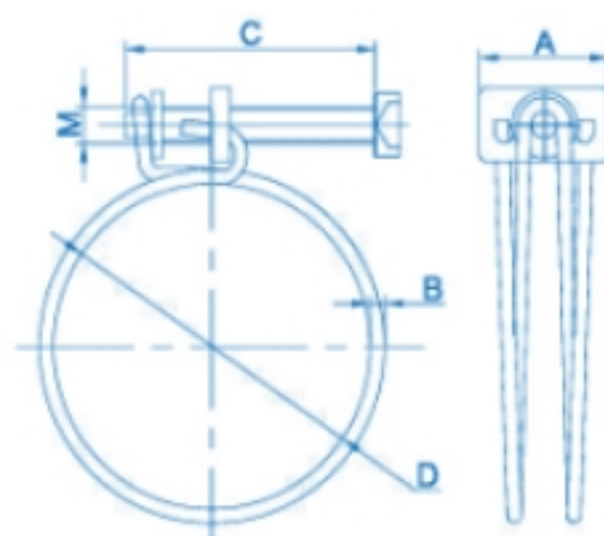
2.W4 series(all the parts are SS300)

Our product

我们的产品

Double wire hose clamp

- 1) This clip was specially designed for use with hoses incorporating an outer helix, it is generally used when installing ventilation ducting or in white goods applications.
- 2) The double-wire construction of this clip means that it sits comfortably on either side of the helix and can then be clamped down firmly thanks to the screw-tightening system.



Size (mm)	Wire Diameter (mm)	Screw	Pcs/ bag	Pcs/ ctn	Ctn size (cm)	G.W./Ctn (kg)
13-16	1.5	M5*30	100	1000	38*27*13	10.80
16-19	1.5	M5*30	100	1000	38*27*15	11.70
19-23	1.8	M5*30	100	1000	38*27*17	12.60
23-26	1.8	M5*30	100	1000	38*27*27	18
26-32	2.0	M6*40	100	500	38*27*24	13.45
32-38	2.0	M6*40	100	500	38*27*24	14.10
38-42	2.0	M6*40	50	500	38*27*24	14.65
42-48	2.0	M6*40	50	500	38*27*29	15.20
52-60	2.2	M6*50	50	250	38*27*19	8.70
58-66	2.2	M6*60	50	250	38*27*19	9.40
61-73	2.5	M6*70	25	200	38*27*17	8.56
74-80	2.5	M6*70	25	200	38*27*21	9.14
82-89	2.5	M6*70	25	200	38*27*21	9.62
92-98	2.5	M6*70	25	200	38*27*24	10.20
103-115	2.5	M6*70	10	200	38*27*27	10.96
115-125	2.5	M6*70	10	200	38*27*29	11.86

Note:

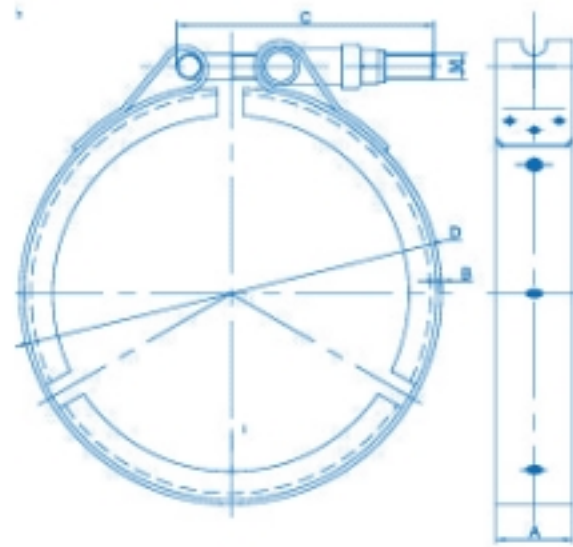
- 1.W1 series(all the parts are carbon steel)
- 2.W4 series(all the parts are SS200 or 300)

Our product

我们的产品

V band clamp

These parts are the most popular sizes and frequently installed on diesel engines, turbochargers and heavy duty exhaust systems.



Size (mm)	Bandwidth*Thickness (mm)	Pcs/ ctn	Ctn size (cm)	G.W./Ctn (kg)
40-46	22*1.5	200	38*27*21	16.20
44-50	22*1.5	200	38*27*24	18.00
48-54	22*1.5	200	38*27*29	21.20
52-58	22*1.5	200	38*27*29	23.8
57-65	22*1.5	200	38*27*34	26.80
63-71	22*1.5	100	37*30*24	14.90
68-77	22*1.5	100	37*30*24	16.20
74-83	22*1.5	100	38*27*29	17.70
80-89	22*1.5	100	38*27*34	18.90
86-95	22*1.5	100	40*37*28	20.00
92-101	22*1.5	100	42*40*30	21.6
96-108	22*1.5	100	42*40*30	23.6
104-116	22*1.5	50	40*37*27	13.30
112-124	22*1.5	50	40*37*27	15.20
120-132	22*1.5	50	40*37*30	17.00
128-140	22*1.5	50	40*37*30	18.85

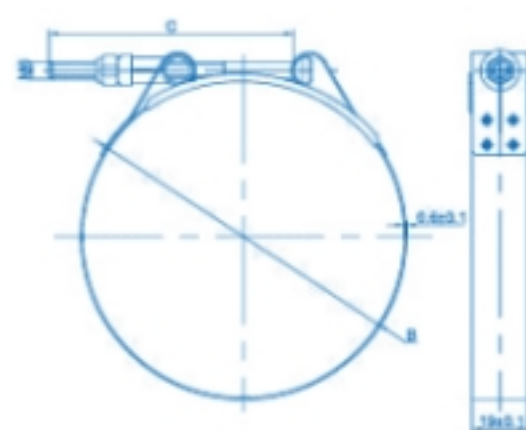
Note:

1.W2 series (band and V band are SS200 or 300, others are carbon steel)

2.W4 series(all the parts are SS200 or 300)

Our product

我们的产品



T-bolt hose clamp

- 1) To provide a quick, yet effective means of clamping a variety of fittings to a wide range of hose.
- 2) It is a high strength, reliable clamp with numerous applications in both the commercial and industrial markets including hose and ductwork connections for air, oil, water, other types of low pressure fluid lines, engine air intake, exhaust, hose and filters.



Size (mm)	Bandwidth* Thickness (mm)	Pcs/ ctn	Ctn size (cm)	G.W./Ctn (kg)	Torque (N.m)
35 -40	19 *0. 6	250	40*37*28	6. 80	≥10
38 -43	19 *0. 6	250	40*37*28	10 .00	≥10
41 -46	19 *0. 6	250	40*37*28	12 .50	≥10
44 -51	19 *0. 6	250	40*37*28	13 .00	≥10
48 -56	19 *0. 6	250	40*37*28	13 .80	≥10
51 -59	19 *0. 6	250	40*37*30	13 .90	≥10
54 -62	19 *0. 6	250	40*37*30	6. 60	≥10
57 -65	19 *0. 6	250	40*37*30	14 .50	≥10
60 -68	19 *0. 6	250	40*37*30	15 .00	≥10
63 -71	19 *0. 6	250	40*37*35	15 .50	≥10
67 -75	19 *0. 6	250	40*37*35	15 .60	≥10
70 -78	19 *0. 6	250	40*37*35	15 .80	≥10
73 -81	19 *0. 6	250	40*37*35	15 .80	≥10
76 -84	19 *0. 6	250	40*37*35	15 .90	≥10
79 -87	19 *0. 6	250	40*37*35	16 .40	≥10
83 -91	19 *0. 6	150	40*37*28	10 .20	≥10
86 -94	19 *0. 6	150	40*37*28	10 .40	≥10
89 -97	19 *0. 6	150	40*37*28	10 .50	≥10
92 -100	19 *0. 6	150	40*37*28	10 .80	≥10
95 -103	19 *0. 6	150	40*37*28	11 .00	≥10
102 -110	19 *0. 6	150	40*37*30	11 .10	≥10
108 -116	19 *0. 6	150	40*37*30	11 .30	≥10
114 -122	19 *0. 6	150	40*37*30	11 .50	≥10
121 -129	19 *0. 6	100	40*37*30	7. 70	≥10
127 -135	19 *0. 6	100	40*37*30	7. 80	≥10
133 -141	19 *0. 6	100	40*37*30	7. 80	≥10
140 -148	19 *0. 6	100	40*37*30	7. 90	≥10
146 -154	19 *0. 6	100	48*38 *35	7. 90	≥10
152 -160	19 *0. 6	100	48*38 *35	8. 00	≥10
159 -167	19 *0. 6	100	48*38 *35	8. 00	≥10
165 -173	19 *0. 6	100	48*38 *35	8. 10	≥10
172 -180	19 *0. 6	100	48*41*36	8. 10	≥10
178 -186	19 *0. 6	100	48*41*36	8. 20	≥10
184 -192	19 *0. 6	100	48*41*36	8. 20	≥10
190 -198	19 *0. 6	100	48*41*36	8. 30	≥10

Note:

1.W2 series(band are bridge are SS200 or 300, others are carbon steel)

2.W4 series(all the parts are SS200 or 300)

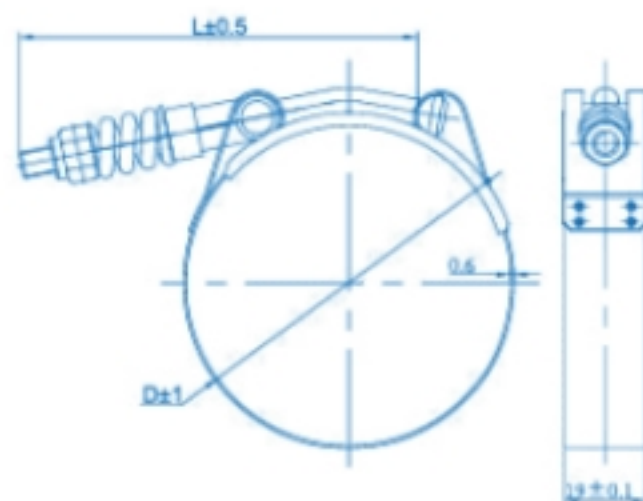
3.W5 series(all the parts are SS316)

Our product

我们的产品

T-bolt spring hose clamp

This clamps design compensates and provides constant tension to prevent leak paths due to temperature fluctuations. Typical applications include heavy truck charge air and cooling systems.



Size (mm)	Bandwidth* Thickness (mm)	Pcs/ ctn	Ctn size (cm)	G.W./Ctn (kg)	Torque (N.m)
55 -60	19 *0. 6	250	40*37*28	17 .00	≥15
63 -70	19 *0. 6	250	40*37*28	18 .80	≥15
64 -71	19 *0. 6	250	40*37*28	18 .90	≥15
67 -75	19 *0. 6	250	40*37*28	18 .90	≥15
70 -78	19 *0. 6	250	40*37*28	19 .00	≥15
72 -80	19 *0. 6	250	40*37*30	19 .00	≥15
73 -81	19 *0. 6	250	40*37*30	20 .30	≥15
76 -84	19 *0. 6	250	40*37*30	20 .40	≥15
77 -85	19 *0. 6	250	40*37*30	20 .40	≥15
79 -87	19 *0. 6	250	40*37*35	20 .50	≥15
83 -90	19 *0. 6	250	40*37*35	20 .80	≥15
86 -94	19 *0. 6	250	40*37*35	21 .00	≥15
87 -95	19 *0. 6	250	40*37*35	21 .00	≥15
89 -97	19 *0. 6	250	40*37*35	21 .10	≥15
92 -100	19 *0. 6	250	40*37*35	21 .10	≥15
95 -103	19 *0. 6	250	40*37*28	21 .10	≥15
99 -106	19 *0. 6	250	40*37*28	21 .10	≥15
102 -109	19 *0. 6	250	40*37*28	21 .60	≥15
103 -110	19 *0. 6	250	40*37*28	21 .60	≥15
105 -113	19 *0. 6	100	40*37*28	8.70	≥15
107 -115	19 *0. 6	100	40*37*30	8.8	≥15
108 -116	19 *0. 6	100	40*37*30	8.9	≥15
111 -119	19 *0. 6	100	40*37*30	9	≥15
112 -120	19 *0. 6	100	40*37*30	9	≥15
114 -122	19 *0. 6	100	40*37*30	9.1	≥15
130 -138	19 *0. 6	100	40*37*34	9.1	≥15
132 -140	19 *0. 6	100	40*37*34	9.2	≥15
138 -146	19 *0. 6	100	40*37*34	9.3	≥15
140 -148	19 *0. 6	100	40*37*34	9.4	≥15
152 -160	19 *0. 6	100	40*37*37	9.5	≥15
155 -164	19 *0. 6	100	40*37*37	9.5	≥15
182 -190	19 *0. 6	50	40*37*34	4.8	≥15
187 -195	19 *0. 6	50	40*37*34	4.8	≥15

Note:

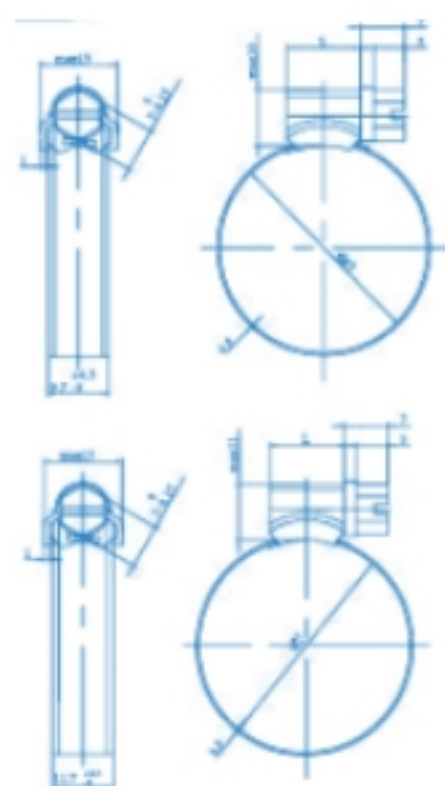
1.W2 series(band are bridge plate are SS200 or 300, others are carbon steel)

Our product

我们的产品

British type hose clamp

- 1) Rolled-up band edges and a non-perforated (embossed) band that protects the hose.
- 2) Features high clamping force and high durability torque.
- 3) A non-perforated band with rolled up edges eliminates hose damage while increasing clamping force.



Size (mm)	Bandwidth* Thickness (mm)	Pcs/ bag	Pcs/ ctn	Ctn size (cm)	G.W./Ctn (kg)	Torque (N.m)
9.5-12	9.7*0.8	100	1000	38*27*11	9.50	≥3.5
11-16	9.7*0.8	100	1000	38*27*11	10.5	≥3.5
13-19	9.7*0.8	100	1000	38*27*11	12.50	≥3.5
16-25	9.7*0.8	100	1000	38*27*19	16.00	≥3.5
19-29	9.7*0.8	100	1000	38*27*19	18.50	≥3.5
22-32	11.7*0.9	50	1000	38*27*29	17.50	≥5
25-38	11.7*0.9	50	1000	38*27*29	22.00	≥5
32-44	11.7*0.9	50	500	38*27*24	12.20	≥5
35-51	11.7*0.9	50	500	38*27*24	14	≥5
38-57	11.7*0.9	50	500	38*27*29	14.5	≥5
44-64	11.7*0.9	25	500	40*37*28	15.50	≥5
55-70	11.7*0.9	25	500	40*37*28	8.89	≥5
64-76	11.7*0.9	10	250	38*27*29	9.25	≥5
70-89	11.7*0.9	10	250	38*27*29	10.50	≥5
76-92	11.7*0.9	10	250	40*37*30	10.82	≥5
80-100	11.7*0.9	10	250	40*37*30	11.85	≥5
90-110	11.7*0.9	10	250	40*37*35	13.00	≥5
100-120	11.7*0.9	10	200	40*37*35	11.10	≥5
110-130	11.7*0.9	10	200	40*37*35	11.80	≥5
120-140	11.7*0.9	10	200	40*37*35	12.60	≥5
120-150	11.7*0.9	10	200	40*37*40	13.20	≥5
135-165	11.7*0.9	10	200	40*37*40	14.50	≥5

Note:

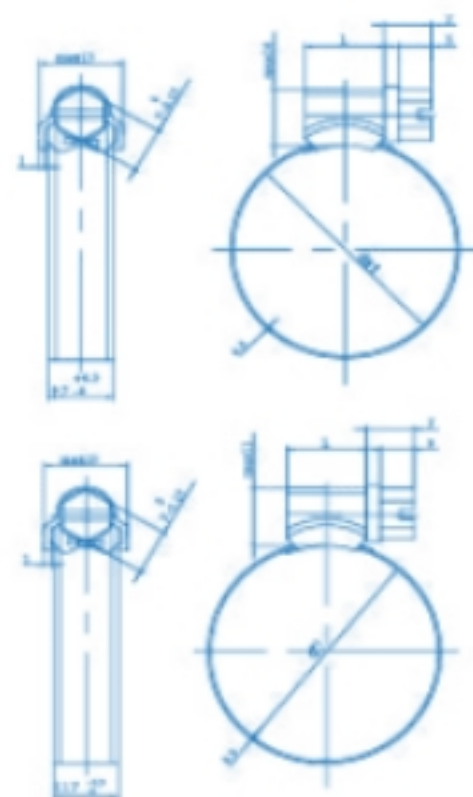
- 1.W1 series(all the parts are carbon steel)
- 2.W2 series (band and housing are SS200 or 300, screw is carbon steel)
- 3.W4 series(all the parts are SS200 or 300)
- 4.W5 series(all the parts are SS316)

Our product

我们的产品

Blue housing British type hose clamp

- 1) Rolled-up band edges and a non-perforated (embossed) band that protects the hose. Features high clamping force and high durability torque.
- 2) A non-perforated band with rolled up edges eliminates hose damage while increasing clamping force.
- 3) For salt water and many other highly corrosive environments.



Size (mm)	Bandwidth* Thickness (mm)	Pcs/ bag	Pcs/ ctn	Ctn size (cm)	G.W./Ctn (kg)	Torque (N.m)
9.5-12	9.7*0.8	100	1000	31*24*19	10.55	≥4
11-16	9.7*0.8	100	1000	31*24*19	11.4	≥4
13-19	9.7*0.8	100	1000	31*24*24	11.65	≥4
16-25	9.7*0.8	100	1000	31*24*24	12.05	≥4
19-29	11.7*0.9	100	1000	40*27*29	20.01	≥6.5
22-32	11.7*0.9	50	1000	40*27*29	20.50	≥6.5
25-38	11.7*0.9	50	1000	40*27*27	12.00	≥6.5
32-44	11.7*0.9	50	500	40*27*27	13.20	≥6.5
35-51	11.7*0.9	50	500	38*27*29	15.00	≥6.5
38-57	11.7*0.9	50	500	38*27*34	15.50	≥6.5
44-64	11.7*0.9	25	500	40*37*28	16.50	≥6.5
55-70	11.7*0.9	25	500	40*27*29	9.89	≥6.5
64-76	11.7*0.9	10	250	40*27*29	10.25	≥6.5
70-89	11.7*0.9	10	250	38*27*34	11.50	≥6.5
76-92	11.7*0.9	10	250	38*27*34	11.82	≥6.5
80-100	11.7*0.9	10	250	45*30*30	12.85	≥6.5
90-110	11.7*0.9	10	250	40*37*35	14.00	≥6.5
100-120	11.7*0.9	10	200	40*37*35	12.1	≥6.5
110-130	11.7*0.9	10	200	40*37*35	12.8	≥6.5
120-140	11.7*0.9	10	200	40*37*35	13.6	≥6.5
120-150	11.7*0.9	10	200	40*37*40	14.2	≥6.5
135-165	11.7*0.9	10	200	40*37*40	15.5	≥6.5

Note:

1.W1 series(all the parts are carbon steel)

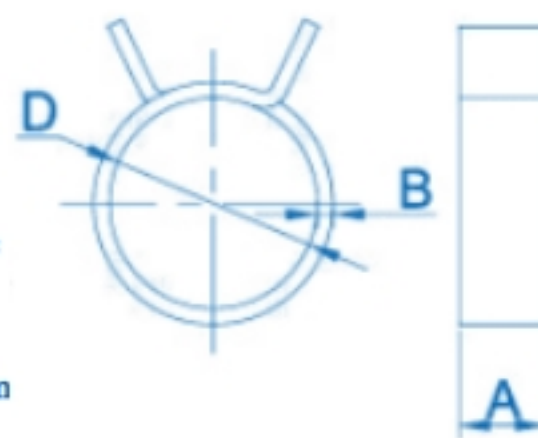
2.W2 series (band is SS200 or 300, housing and screw are carbon steel)

Our product

我们的产品

Spring hose clamp

- 1) Spring hose clamp are self-tightening, sealing elements made from tempered spring band steel offering a high level of flexibility to ensure reliable, leak proof connection of a hose to a fitting.
- 2) Re-torque and re-adjustment are not required after installation.
- 3) Maintains constant tension throughout all pressure and fluid system of almost any application.



Size (mm)	Bandwidth* Thickness (mm)	Pcs/ ctn	Ctn size (cm)	G.W./Ctn (kg)
4	6*0.4	10000	30*37*19	11.00
5	6*0.6	10000	30*37*19	11.6
6	6*0.6	10000	30*37*19	12.00
7	6*0.6	5000	27*22*18	6.40
8	8*0.8	5000	27*22*18	6.95
9	8*0.8	5000	27*22*18	7.20
9.5	8*0.8	5000	27*22*18	7.30
10	8*0.8	5000	27*22*18	7.45
10.5	8*0.8	5000	39*36*18	7.85
11	8*0.8	5000	39*36*18	8.2
11.5	8*0.8	5000	39*36*18	8.90
12	8*0.8	5000	39*36*18	9.55
12.5	8*0.8	5000	39*36*18	10.10
13	10*1.0	5000	39*36*18	10.60
13.5	10*1.0	2000	27*22*18	6.50
14	10*1.0	2000	27*22*18	6.90
14.5	10*1.0	2000	30*37*19	7.70
15	10*1.0	2000	30*37*19	8.40
16	12*1.0	2000	30*37*19	9.60
17	12*1.0	2000	30*37*19	10.20
18	12*1.0	2000	30*37*19	11.50
19	12*1.0	2000	30*37*19	12.50
20	12*1.0	2000	41*34*19	13.20
21	12*1.0	2000	41*34*19	13.65
23	12*1.2	2000	41*34*19	17.45
24	12*1.2	2000	41*34*19	17.95
25	12*1.2	2000	41*34*19	18.45
26	12*1.2	2000	41*34*19	19.00
27	15*1.5	1000	38*27*21	9.85
28	15*1.5	1000	38*27*21	11.02
29	15*1.5	1000	38*27*24	11.98
30	15*1.5	1000	38*27*27	12.67

Note:

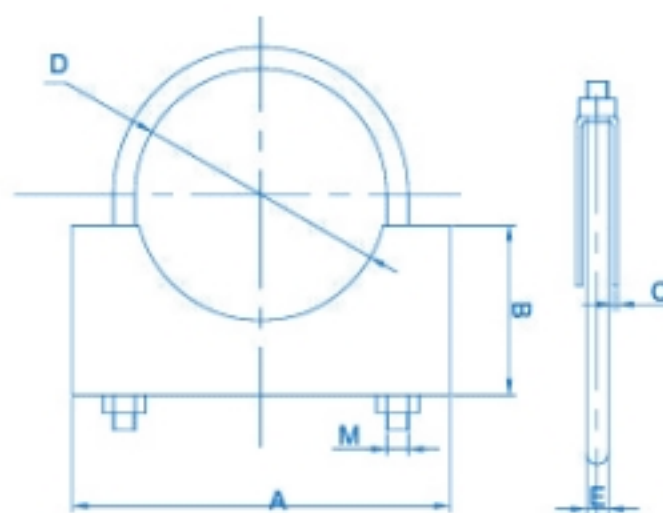
- 1.Zinc-plated 65Mn steel.
- 2.Dacromet 65Mn steel.
- 3.Color-harden 65Mn steel.

Our product

我们的产品

U bolt clamp

- 1) For automotive and general purpose use.
- 2) High sealing and easy installation.



Size (mm)	Bolt size (mm)	Pcs/ ctn	Ctn size (cm)	G.W./Ctn (kg)
25	M 8	250	38*27*29	21 . 30
28	M 8	250	38*27*29	22 . 50
32	M 8	200	38*27*29	19 . 80
35	M 8	200	38*27*29	20 . 40
38	M 8	150	38*27*29	15 . 80
45	M 8	150	38*27*29	15 . 90
48	M 8	150	38*27*29	16 . 50
51	M 8	100	38*27*27	12 . 50
54	M 8	100	38*27*27	12 . 80
57	M 8	100	38*27*27	13 . 50
60	M 8	100	38*27*27	14 . 10
64	M 8	100	38*27*27	14 . 80
67	M 8	50	38*27*24	8 . 30
70	M 8	50	38*27*24	8 . 60
73	M 8	50	38*27*24	8 . 80
76	M 8	50	38*27*24	8 . 90
83	M 10	25	38*27*20	4 . 60
89	M 10	25	38*27*20	4 . 80
95	M 10	25	38*27*20	5 . 10
102	M 10	25	38*27*20	5 . 30

Note:

- 1.W1 series(all the parts are carbon steel)
- 2.W4 series(all the parts are SS200 or 300)
- 3.W5 series(all the parts are SS316)



Our product

我们的产品

